

ROUGHNESS TESTER (SEPARABLE TYPE)

BLUETOOTH

TOUCH SCREEN

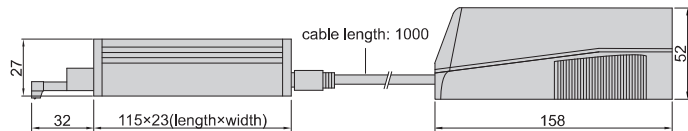
CAN BE OPERATED BY COMPUTERS OR MOBILE PHONES

- Roughness tester can be operated by mobile phones or computers
- Data can be sent to Excel by connecting to computers via bluetooth or SPC cable
- Support bluetooth printer
- 22 roughness parameters
- Meet ISO, DIN, ANSI, JIS standards
- Display roughness values, profile and curve
- Memory of maximum 100 data and waveform
- Built-in lithium battery, working time more than 50 hours
- Touch screen
- Automatic power off

DATA OUTPUT



ISR-C300



software flash disk (included)

adjustable stand (included)

height is adjustable (40mm)



bluetooth printer (optional)



probe and main unit can be combined together



light duty test stand (optional)



the maximum workpiece height is 220mm

heavy duty test stand (optional)



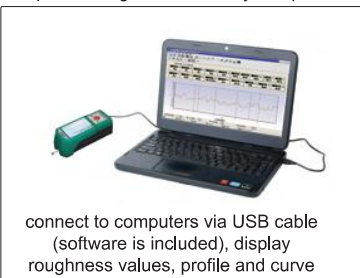
the maximum workpiece height is 310mm

operate roughness tester by mobile phones



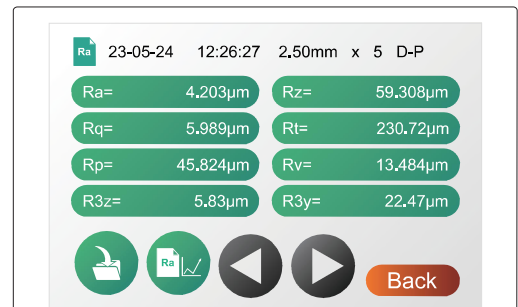
connect to mobile phones via bluetooth display roughness values, profile and curve

operate roughness tester by computers

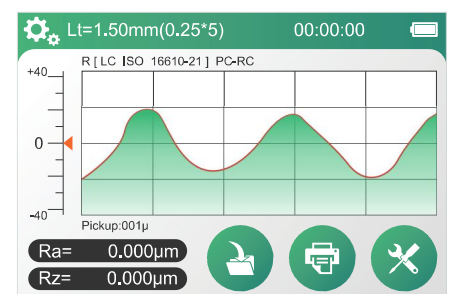


connect to computers via USB cable (software is included), display roughness values, profile and curve

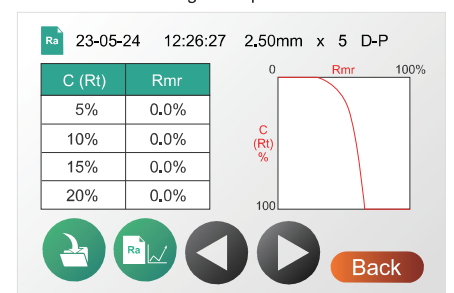
roughness tester screen display



measurement result



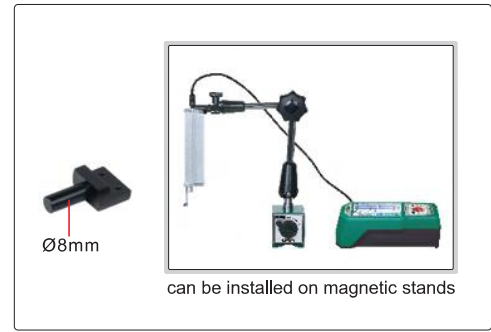
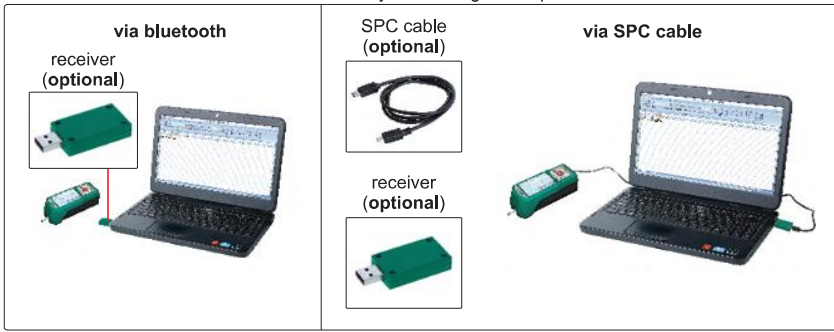
roughness profile



Rmr analysis

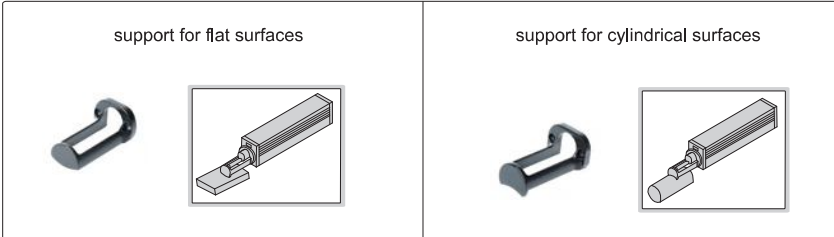
data can be sent to Excel by connecting to computer via bluetooth or SPC cable

magnetic stand adapter (included)



probe support (optional)

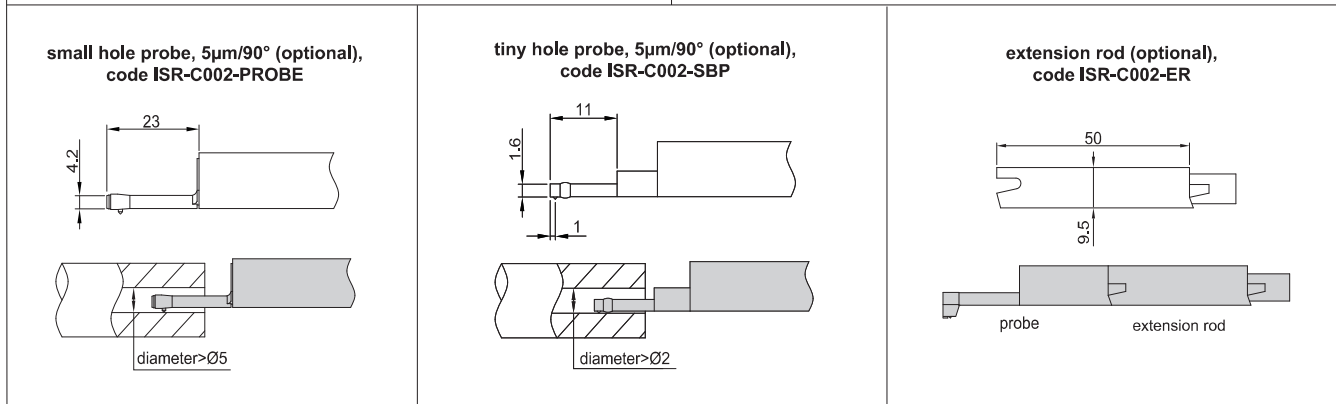
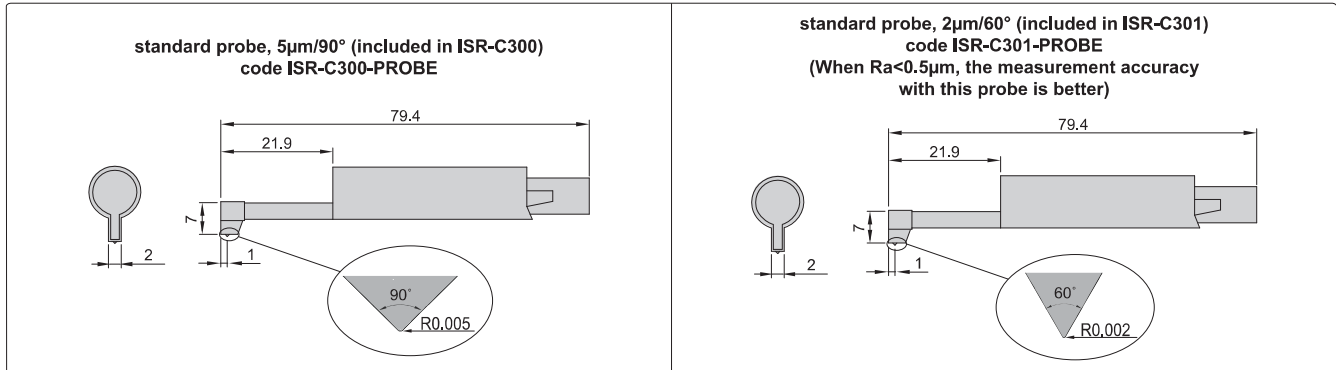
height gage adapter (optional)



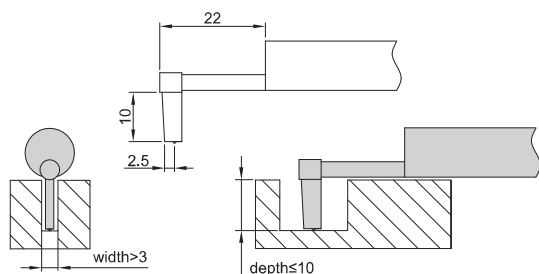
NOTE: Please check whether the adapter can fit your height gages. When using **INSIZE** height gages, please use the dial test indicator holder of height gages

optional probes

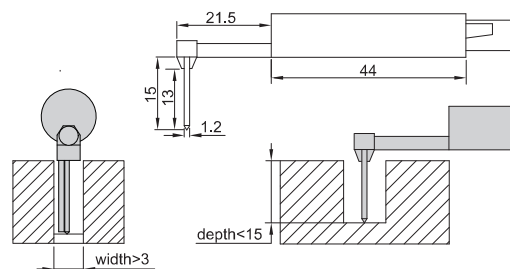
Unit: mm



deep groove probe, 5 μ m/90° (optional),
code ISR-C002-DGP



deep groove probe, 5 μ m/90° (optional),
code ISR-C002-DGP1



SPECIFICATION

Code	ISR-C300	ISR-C301
Measuring force	4mN	0.75mN
Stylus radius/angle	5 μ m/90°	2 μ m/60°
Parameters	Ra, Rz, Rq, Rv, Rp, Rs, R3z, R3y, Rt, Rc, Rz(JIS), Rk, Rku, Rsm, Rpc, Rpk, Rvk, Rsk, Mr1, Mr2, Ry, Rmax	
Probe type	inductive	
Stylus material	diamond	
Range	X axis	17.5mm
	Z axis	320 μ m (-160 μ m~160 μ m)
Accuracy	\pm 10%	
Resolution (Ra)	0.001 μ m	
Measuring unit	μ m/ μ in	
Cut off	0.25/0.8/2.5mm	
Number of cut-offs	1~5	
Moving speed	0.135mm/s, 0.5mm/s, 1mm/s	
Memory	100 measurement results	
Output	USB and bluetooth	
Power	built-in rechargeable battery	
Dimension (L×W×H)	158×64×52mm	
Weight	400g	

STANDARD DELIVERY

Main unit	1 pc
Standard probe (included in ISR-C300)	1 pc
Standard probe (included in ISR-C301)	1 pc
Calibration block and support	1 pc of each
Connecting cable (long and short)	1 pc of each
Magnetic stand adapter	1 pc
Adjustable stand	1 pc
Touch pen	1 pc
Software and USB cable	1 pc
AC/DC adapter	1 pc

OPTIONAL ACCESSORY

Extension rod	ISR-C002-ER
Small hole probe	ISR-C002-PROBE
Tiny hole probe	ISR-C002-SBP
Deep groove probe	ISR-C002-DGP
Deep groove probe	ISR-C002-DGP1*
Standard probe	ISR-C301-PROBE
Standard probe	ISR-C300-PROBE
Bluetooth printer	ISR-C002-PRINTER
Height gage adapter	ISR-C300-LB1
Receiver	ISR-C300-RECEIVER
SPC cable	ISR-C300-SPC
Support for flat surface	ISR-C300-COVER1
Support for cylindrical surface	ISR-C300-COVER2
Light duty test stand	ISR-C002-STAND1
Heavy duty test stand	ISR-C002-STAND

*Need to be delivered with roughness tester **ISR-C300**